

Retractable Handles

Plastic, Retractable Mechanism Steel,
Locked in Operating Position

SPECIFICATION

Handle

Plastic, Polyamide (PA) **KT**

- Operating temperature up to 90 °C
- Black, matte finish
- Revolving

Retractable mechanism

Steel, blackened

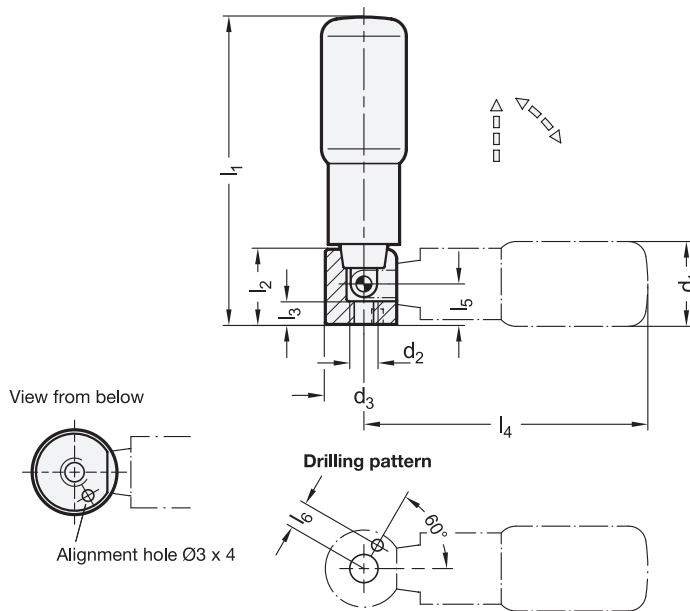


INFORMATION

Typical in design are the retractable handles GN 798.3 with their stepped shape consisting of two cylinders giving the operator a better grip, especially when pulling the handle out from its locked position before it can be folded back into the rest position. Retractable handles GN 798.3 are used when the handle should not protrude temporarily for space or safety reasons.

TECHNICAL INFORMATION

- Plastic Characteristics (see page A2)



GN 798.3

Description	d1	d2	d3	l1 ≈	l2	l3	l4 ≈	l5	l6	△
GN 798.3-KT-16	16	M 5	16	58	15	5	52.5	9.5	5	35
GN 798.3-KT-18	18	M 5	16	72.5	15	5	67	9.5	5	41
GN 798.3-KT-22	22	M 6	20	80.5	19.5	6	74	10.5	7	79
GN 798.3-KT-24	24	M 6	20	95.5	19.5	6	89	10.5	7	91
GN 798.3-KT-25	25	M 6	20	105.5	19.5	6	98.5	10.5	7	116